

# 58A-PR series

calibrated balancing valve multi-turn, variable orifice adjustment



job name:	
job location:	
engineer:	
contractor:	
tag:	
po#:	
rep:	
wholesale dist.:	

## description

Apollo model 58A balance valves are precision engineered and manufactured valves which provide two position hydronic circuit isolation capability and multi-turn throttling adjustment as required for proportional balancing of hydronic systems. The valves unique needle valve adjustment, with integrated digital readout incorporated into the handle allows qualified technicians to have the valve function as a highly accurate variable orifice flow meter. Valve pressure drop can be read through the valves integrated 1/4" measurement ports, and flow calculated from the flow coefficient associated with the numerical setting.

## features

- P/T plugs
- compatible with all flow meters
- easy adjustment and setpoint indicator
- isolated flow shut-off
- reversible lever

## options

- solder connection (58A-S series)
- press connection (58A-PR series)
- push connection (58A-P series)

## standard materials list

part name	material
valve body	DZR brass CW602N
ball & needle	DZR brass CW602N (chrome plated)
valve handle	glass filled polyamide
sealing o-ring	EPDM
gasket	PTFE
test port seal	EPDM

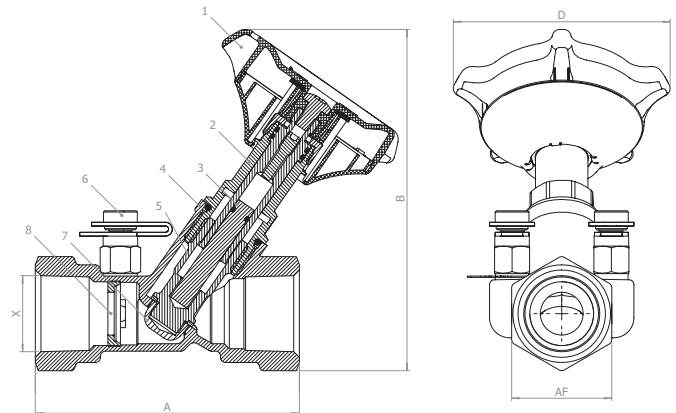
## performance rating

- max pressure: 600 psi (41.3 bar)
- max temp: 250°F (121°C)

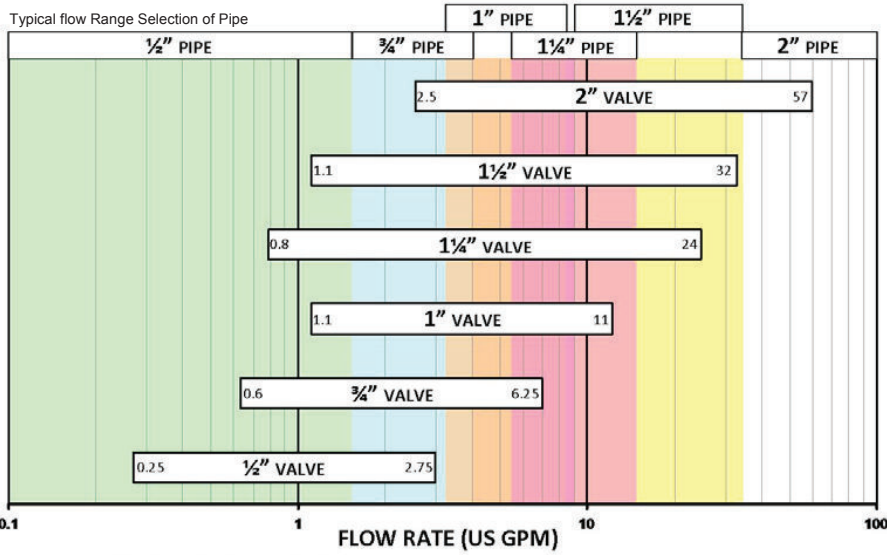
**Not intended for potable water**

## dimensions

part number	size	connection	dimensions (in)				weight (lb)	C <sub>vs</sub>
			A	B	D	AF		
58A203T	1/2"	FNPT	3.11	4.22	3.54	1.08	1.17	2.2
58A204T	3/4"		3.39	4.15		1.26	1.3	5.7
58A205T	1"		4.17	4.45		1.57	1.98	9.8
58A206T	1-1/4"		4.88	4.72		1.97	2.84	16.1
58A207T	1-1/2"		5.12	4.85		2.17	3.7	24.7
58A208T	2"		6.26	5.43		2.76	6.53	48.0
58A203S	1/2"		SOLDER	4.35		4.22	3.54	1.08
58A204S	3/4"	5.03		4.15	1.26	1.54		5.7
58A205S	1"	6.85		4.45	1.57	2.32		9.8
58A206S	1-1/4"	7.47		4.72	1.97	3.47		16.1
58A207S	1-1/2"	8.31		4.85	2.17	4.62		24.7
58A208S	2"	10		5.43	2.76	7.88		48.0
58A203X2	1/2"	PEX A F1960		5.06	4.22	3.54		1.08
58A204X2	3/4"		5.76	4.15	1.26		1.54	5.7
58A205X2	1"		7.01	4.45	1.57		2.32	9.8
58A203X	1/2"	PEX B/C F1807	5.11	4.22	3.54	1.08	1.3	2.2
58A204X	3/4"		5.81	4.15		1.26	1.54	5.7
58A205X	1"		7.06	4.45		1.57	2.32	9.8
58A203P	1/2"	PUSH	5.3	4.22	3.54	1.08	1.39	2.2
58A204P	3/4"		5.75	4.15		1.26	1.6	5.7
58A205P	1"		6.89	4.45		1.57	2.48	9.8
58A203PR	1/2"	PRESS	4.98	4.22	3.54	1.08	1.35	2.2
58A204PR	3/4"		5.56	4.15		1.26	1.62	5.7
58A205PR	1"		6.43	4.45		1.57	2.36	9.8
58A206PR	1-1/4"		7.42	4.72		1.97	3.42	16.1
58A207PR	1-1/2"		8.38	4.85		2.17	4.6	24.7
58A208PR	2"		9.88	5.43		2.76	7.75	48.0



## QUICK SELECTION CHART



### notes on valve selection:

Balancing valves are flow control valves and should be sized per the application. It is generally better to specify the valve for the desired flow rate when fully open, applying a 1PSI to 2 PSI pressure drop, which will allow for adequate differential pressure for field flow measurement. This may make the valve smaller than the applied pipe size.